

# Exiway Smartbeam

Self-diagnosis versions (Activa) IP42/IK04, IP65/IK07

P147581



Recessed version

P147334



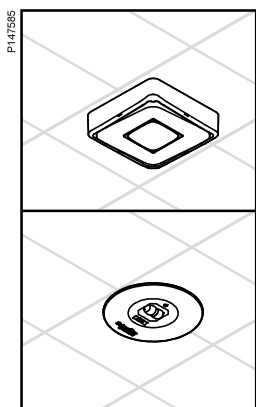
Surface version

P147331



Recessed version with Vetrosignal kit accessory

## Installation methods



**Surface mounting**  
(installation without accessories)

**False ceiling**  
(installation without accessories)



## Technical specifications

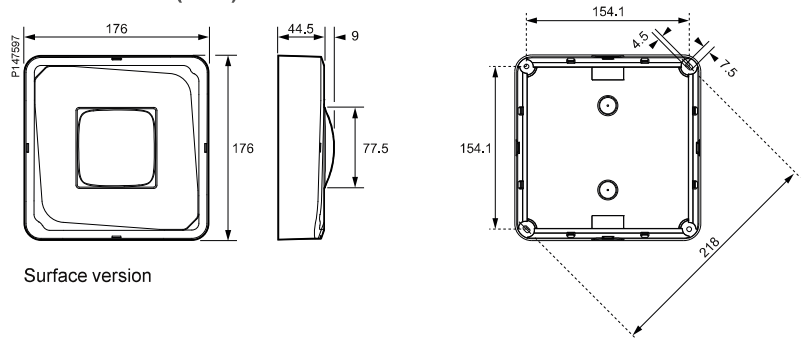
- Available for maintained operation and non-maintained operation, the selection is made on the connector or using on board switch
- Self-diagnosis version (Activa)
- Compliant with IEC/EN 60598-1, IEC/EN 60598-2-22, IEC/EN 62034, IEC/EN 62471 - group 1 standards
- ENEC certification
- Can be inhibited with rest mode via Smart TBS of remote controls
- Protection rating: IP42/IK04, IP65/IK07
- Insulation class: II □
- Operating temperature: 0...40°C
- Fire behaviour (EN 60695-2-10), incandescent wire: 850°C
- Case of self-extinguishing polycarbonate 94V-2 (UL 94)
- Long-lasting LED light source 1 x 10 W  
(> 10 years expected in typical ambient temperature\* condition)
- Power supply: 220/230 V, 50/60 Hz
- Complete recharge in 12 h
- Battery: LiFePO4 technology with longer lifetime
- Dedicated references available for recessed installation in false ceiling or surface ceiling installation - Escape route (1 lux) or Open Area (0.5 lux).

(\* Typical environment temperature: 25°C.

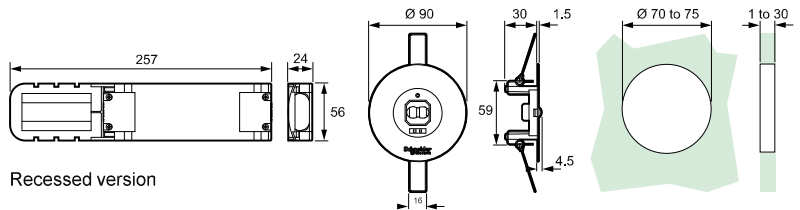
## Accessories

- **Vetrosignal kit:** includes an external adaptor (as 90 mm adaptor ring) with fixing clips for the panel and a set of ISO pictograms (set of 5) right, left, down, up, opaline
- **Pictogram screen kit:** set of 45° ISO pictograms for Vetrosignal (set of 4) right/down, left/down, right/up, left/up
- **Adaptor ring:** for substitution in bigger holes (more than 90 mm up to 135 mm).

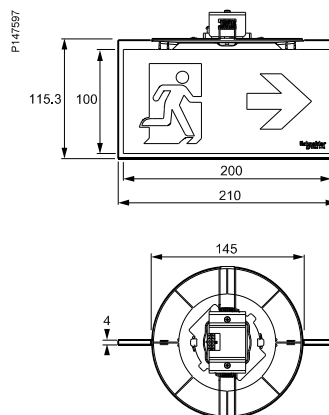
## Dimensions(mm)



Surface version



Recessed version



Recessed version with Vetrosignal kit accessory