

DUAL DISPLAY STATION



when communication is **critical**

FEATURES

- Desktop master station with full access to all features in the STENTOFON AlphaCom exchange
- The station may use up to 90 Direct Access Keys (DAK) on 9 dynamic DAK pages. The dialing keys have letters to be used for search facility in the intercom directory and display text editing
- The station has 4 dynamic navigation keys for quick access to system menus and directory entries
- Status information, guidance and menus are shown on a large 4 line graphic display

DESCRIPTION

The STENTOFON Master Station with Dual Display is designed for table-top mounting in bank/finance and office environments. The physical size makes it easy to place on desks with limited space. An optional noise cancelling gooseneck microphone module can be mounted in noisy environments. Most functions and codes are the same as for the STENTOFON stations in the InterGuard range. The two easy-to-read displays and navigation buttons ensure quick and easy access to the person you want to reach and the functions you want to perform. The direct access keys are easily programmed from the station and can be changed at any time. The display may be edited to show your personal text.



SPECIFICATIONS

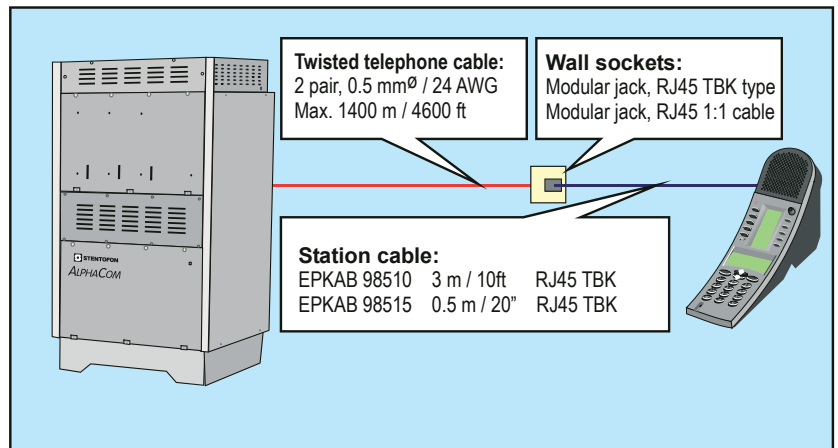
Order Number	1007007000
Mounting	Table top
Cable Requirements	2 pair twisted cable 0.5 mm ² , 24 AWG
Max line length Operation voltage	@ 0.5 mm ² , 1400 m / 4600 ft Powered from exchange
Dimensions: (W x H x D)	72 x 140 x 270 mm 2.8 x 5.5 x 10.6 inch
Temperature range	0° - 40°C, 32° - 105°F
Humidity	Non condensing, 10% - 85% RH
Loudspeaker Output	1W rms, impedance 50 ohm
Loudspeaker Impedance	
Frequency Range	-3dB, 300 - 7000 Hz
Microphone Output Voltage	Voltage 100/300 mV, impedance 1000 ohm
Wall Socket Connector Type	Modular jack, RJ45
Direct access display	10 lines, 5-8 characters graphic
Information display	4 lines, 20 characters graphic

ORDER NUMBER	DESCRIPTION	SHIP WEIGHT
1007007000	Dual Display Station	0.40 kg
Supplementary equipment:		
1007007010	Microphone for Dual Display Station	0.15 kg
EPKAB 98510	3 m Station Cable with RJ45 Connector	
EPKAB 98515	0.5 m Station Cable with RJ 45 Connector	

DUAL DISPLAY STATION

INSTALLATION

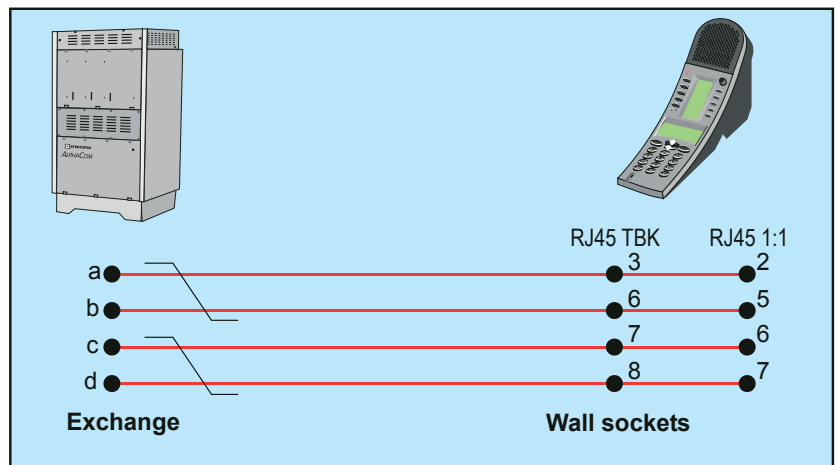
The station can be installed in any Stentofon AlphaCom or AlphaCom M system.



WIRING

The Master Stations with Dual Display are installed by connection to a normal line point in the exchange by using a station cable with RJ45 connectors.

Note that some RJ45 connectors may be cross-connected internally.



APPLICATION

The station is primary intended to be used as a table top station in bank / finance environment and offices where quick access to several preprogrammed extension numbers and functions is essential. The direct access key display text can be edited.

