



## miro

AUDIO HANS-FREE  
MOD.1183/7

- 2 programmable buttons
- Floor call function
- Output for call repeating
- "Hands Free" or "Push to talk" operating mode
- 2 free push button to connect to E2BPP for 2 wireless Yokis scenarios
- Wall mounting or installation with 503 flush-mounting boxes



# miro

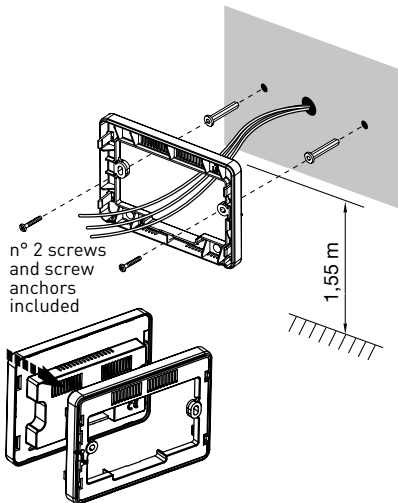
AUDIO HANDS-FREE  
MOD. 1183/7

## INDOOR STATIONS

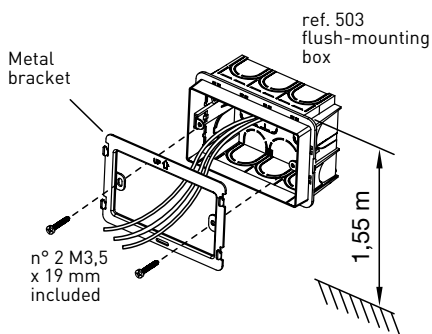
### Components features:

- Wall mounting or installation with 503 flush-mounting boxes
- 2 programmable buttons
- Back-lighted audio activation button
- Back-lighted door opener button
- Second driveway door opening
- Auxiliary function buttons
- Programmable intercom call (2)
- Call volume regulation
- Ringer selection
- MUTE function
- Floor call function
- Output for call repeating
- Automatic door opening system
- Multicolour indicator LED
- 2 free push button to connect to E2BPP for 2 wireless Yokis scenarios
- Dimensions 110x80x19mm (110x80x9mm for flush-mounted installation)

### WALL SURFACE MOUNTING

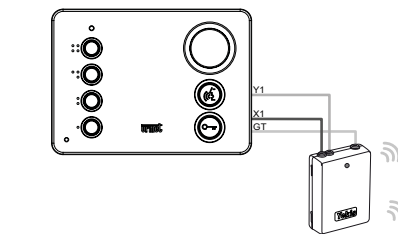
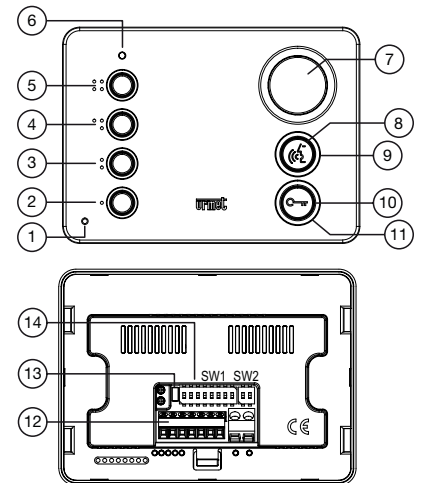


### WITH FLUSH-MOUNTED CASING MOD.503

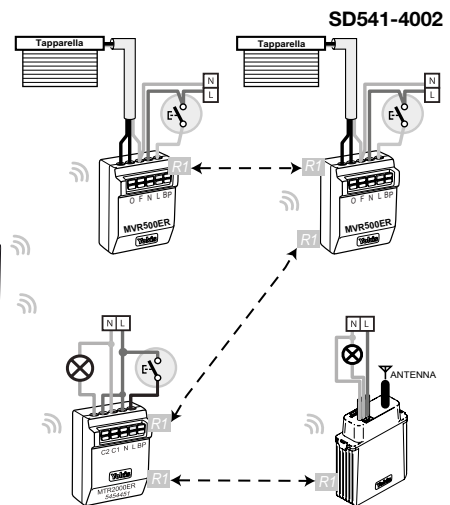


### COMPONENTS DESCRIPTION:

1. Microphone
2. Programmable ● button
3. Programmable ● button
4. Button ●● to connect to Yokis devices (contacts X1, GT): max 50 mA @ 12Vcc
5. Button ●● to connect to Yokis devices (contacts Y1, GT): max 50 mA @ 12Vcc
6. Multicolour indicator LED
7. Call and conversation speaker
8. Button ● used to activate/deactivate audio
9. Green LED under the ● button
10. Door opener button
11. Green LED under the door opener button
12. Terminals for connecting to the system
13. Line termination jumper
14. Configuration dip switch



CONNECTION OF A E2BPP MODULE TO THE VIDEO DOOR PHONE FOR THE CENTRALISATION OF LIGHTS AND ROLLERS



# urmet

URMET S.p.A.

Via Bologna, 188/C | 10154 TORINO (ITALY)  
T +39-011.24.00.000 | F +39-011.24.00.300  
www.urmet.com | info@urmet.com  
Customer Service +39-011.23.39.810